

CC1800XL Medium Walk Behind Saw



Gasoline



Electric



Hydraulic



Propane
Option

14" - 20" Blade Capacity

Push Drive/Self Propelled



CC1823BVXL-S
with Briggs Vanguard

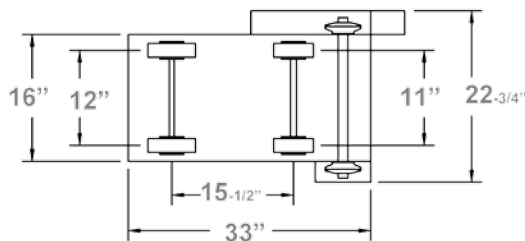
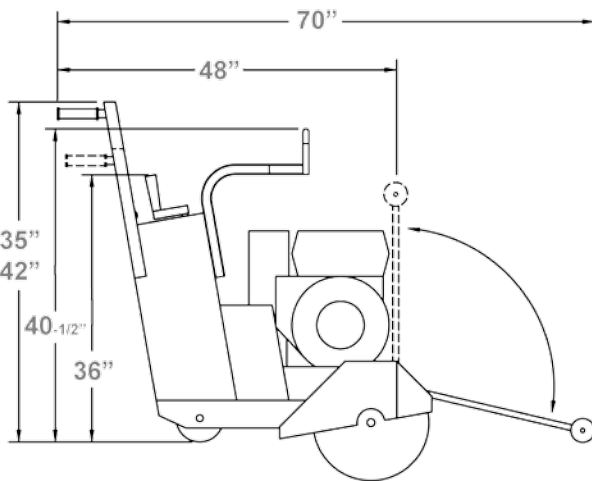
Blade not included

Features & Benefits

- Many power options to fit your applications
- Electric start with pull start backup (Briggs Vanguard model)
- Easy access to battery with heavy duty isolator switch to prevent battery drain
- Screw feed raise and lower
- Left or right side sawing
- Lifting hook standard on all models
- Self aligning blade shaft bearings

Specifications

Maximum depth of cut with 14" blade:	4-5/8"
Maximum depth of cut with 18" blade:	6-5/8"
Maximum depth of cut with 20" blade:	7-5/8"
Blade shaft RPM:	2,600
Blade shaft diameter:	1-1/4"
Arbor size:	1" w/drivepin
Blade shaft drive:	3 belt for 11.7HP, 4 belt other models
Blade mounting:	Right or Left
Transmission (self propelled):	Eaton Model 6
Drive Speed:	0-80 feet/min
Fuel Capacity (gas models):	2 gallons
Electric Start (18-23 HP model):	Standard
Low Oil Alert:	Standard
Tach/Hour Meter (18-23 HP models):	Standard



Front Wheel Dimensions 5" x 1-1/2" x 3/4"
Rear Wheel Dimensions 6" x 1-1/2" x 5/8"



CC1820HXL-S with Honda

CE
Certified

CC1820HXL
Model only

Horsepower and Torque as rated
by the engine manufacturer.

CC1800XL MEDIUM WALK BEHIND SAW - PUSH MODELS

Model #	Engine/Motor Make/Model	Engine/Motor Power	Power Source	Belts	Part # with 14" Guard	Cat # with 14" Guard	Part # with 20" Guard	Cat # with 20" Guard	Product Weight (lbs.)
CC1875E1XL-P	Baldor	7.5 HP, 230V - 1PH	Electric	4	5800628	54480	5800629	54490	420
CC1810E3XL-P	Baldor	10 HP, 230V - 3PH	Electric	4	5800692A	54485	5800693A	54497	385
CC1810E3XL-P	Baldor	10 HP, 460V - 3PH	Electric	4	5800692B	54565	5800693B	54580	400
CC1810E3XL-P	Baldor	10 HP, 575V - 3PH	Electric	4	5800692C	54568	5800693C	54581	330
CC1811HXL-P	Honda GX390 Gas	11.7 HP, 19.5 Torque (lbs.-ft.)	Gas	3	5800694	54486	5800695	54498	310
CC1811HEXL-P	Honda GX390 Gas ▶	11.7 HP, 19.5 Torque (lbs.-ft.)	Gas	3	5802258	27946	5802259	17244	280
CC1813BXL-P	Briggs 2100 Series ◊	420cc, 21 Torque (lbs.-ft)	Gas	4	5801114	61230	5801115	61234	285
CC1816BVXL-P	Briggs Vanguard ◻	16 HP	Gas	4	5800696	54487	5800697	54505	335
CC1818HYXL-P	Danfoss	18 HP - 15 gpm	Hydraulic	4	5800698A	54489	5800699A	54506	300
CC1818HYXL-P	Danfoss	18 HP - 20 gpm	Hydraulic	4	5800698B	54571	5800699B	54582	300
CC1818HYXL-P	Danfoss	18 HP - 25 gpm	Hydraulic	4	5800698C	54579	5800699C	54593	300

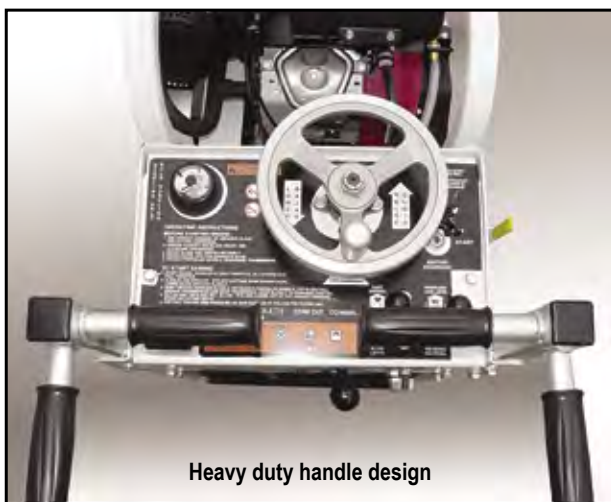
CC1800XL MEDIUM WALK BEHIND SAW - SELF-PROPELLED MODELS

CC1875E1XL-S	Baldor	7.5 HP, 230V - 1PH	Electric	4	5800736	54507	5800737	54539	445
CC1810E3XL-S	Baldor	10 HP, 230V - 3PH	Electric	4	5800738A	54508	5800739A	54540	450
CC1810E3XL-S	Baldor	10 HP, 460V - 3PH	Electric	4	5800738B	54596	5800739B	54600	380
CC1810E3XL-S	Baldor	10 HP, 575V - 3PH	Electric	4	5800738C	54597	5800739C	54601	380
CC1811HXL-S	Honda GX390 Gas	11.7 HP, 19.5 Torque (lbs.-ft.)	Gas	3	5800643	54536	5800644	54541	380
CC1811HEXL-S	Honda GX390 Gas ▶	11.7 HP, 19.5 Torque (lbs.-ft.)	Gas	3	5802260	27947	5802261	78112	395
CC1813BXL-S	Briggs 2100 Series ◊	420cc, 21 Torque (lbs.-ft)	Gas	4	5801112	61225	5801113	61226	400
CC1816BVXL-S	Briggs Vanguard ◻	16 HP	Gas	4	5800645	54537	5800646	54542	380
CC1818HYXL-S	Danfoss	18 HP - 15 gpm	Hydraulic	4	5800647A	54538	5800648A	54549	350
CC1818HYXL-S	Danfoss	18 HP - 20 gpm	Hydraulic	4	5800647B	54598	5800648B	54604	350
CC1818HYXL-S	Danfoss	18 HP - 25 gpm	Hydraulic	4	5800647C	54599	5800648C	54623	350
CC1820HXL-S	Honda GX630 ▶◆	20.8 HP, 35.6 Torque (lbs.-ft)	Gas	4	5800667	51234	5800668	53351	470
CC1823BVXL-S	Briggs Vanguard ▶◆◻	23 HP	Gas	4	5801218	22269	5801219	22271	460

▶ Electric start ◆ Includes remote cyclone air cleaner

◊ Briggs 2100 Series models include a Diamond Products 3-year extended warranty - Gross horsepower at 2600 RPM per SAE J1940

◻ Gross horsepower at 3600 RPM per SAEJ1940



Heavy duty handle design

CC1800XL control panel with screw feed, ignition switch, adjustable handles and hour meter. Handles have two sets of grips that can be positioned outward or inward (as shown).

CC1800XL OPTIONS

Description	Part #	Cat #
Electric Water Pump (electric start engines only)	6048970	66686
Water Tank Kit* (7.5 gallon)	6049020	70611
Tach/Hour Meter-Digital(displays engine RPM) ◆	2801502	36079
Weight Kit (26 lbs) **	6048959	66687
Parking Brake	6048873	66688
Catalytic Muffler for 11.7HP GX390 Honda Engines	2501567	78637
Catalytic Muffler for 20.8HP GX630 Honda Engines	2703546	68832
Extended Blade Shaft Kit for up to 1" spacing	6048107	48388
Propane Conversion Kit for 20.8 HP Honda or 23 HP Briggs (4.7 gallon tank, horizontal vapor)+	6040323	10157
Propane Conversion Kit for 11.7 HP Honda (4.7 gallon tank, horizontal vapor)+	6040322	10156
14" Slip-on Blade Guard	6048912	97088
20" Slip-On Blade Guard	6048904	98682

+ Propane conversion kits include the following: conversion to dual fuel, safety fuel lock, liquid propane fuel tanks with float gauge and safety check connector.