



Gasoline



Electric

## Ideal for Municipalities and Rental Stores!

14" - 30" Blade Capacity

Self Propelled

### Features & Benefits

- Great mid-size saw for service, utility work and rental
- Strongest frame on the market
- 30% more torque with new jackshaft design (on gas models)
- Fits through a 30" door frame
- Cyclone air cleaner

### Specifications

Maximum depth of cut with 14" blade:	4-3/8"
Maximum depth of cut with 20" blade:	7-3/8"
Maximum depth of cut with 26" blade:	10-3/8"
Maximum depth of cut with 30" blade:	12-3/8"
Blade shaft diameter:	1-3/4"
Arbor size:	1" w/drivepin
Blade shaft drive:	6 belt
Blade mounting:	Right or Left
Blade raise & lower:	Electro-hydraulic pump
Transmission:	Eaton Model 10
Drive speed:	0-200 feet/min
Air filter:	4 stage
Fuel capacity (gas models):	6 gallons



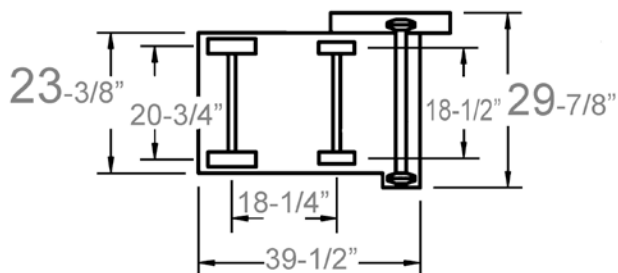
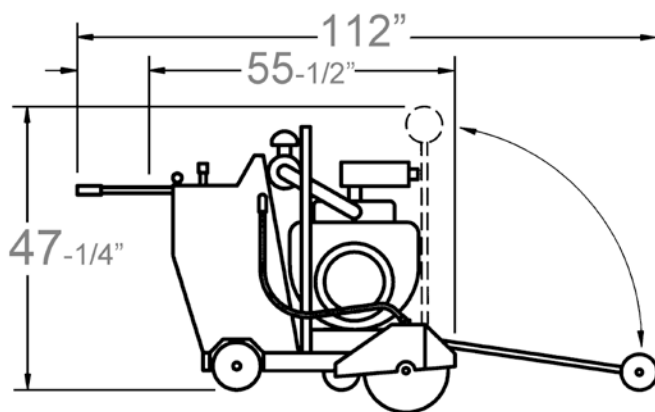
CC3535JBV

Blade not included

Briggs & Stratton engines have a 3-year warranty!

### INCLUDES:

- Telescoping front pointer
- Cutting depth indicator
- Quick disconnect blade flanges
- Hour meter
- Frame lift



CC3500 Control Panel

Shown with Optional Shaft Tachometer.

575V or 50 cycle motors available on request. (motor starter switch box included). Quick-release Blades/Flange, Slip-on Blade Guards and Double Concave Roller Bearing are standard on all CC3500 models.

Horsepower and Torque as rated by the engine manufacturer.

## CC3500 WALK BEHIND SAW

Model #	Engine/Motor Make/Model	Engine/Motor Power	Power Source	Part #	Cat #	Blade Capacity	Product Weight (lbs.)
CC3535JBV-14	Briggs & Stratton Vanguard ☐	35 HP	Gas	5801305	25324	14"	950
CC3535JBV-20	Briggs & Stratton Vanguard ☐	35 HP	Gas	5801306	25330	20"	1,000
CC3535JBV-26	Briggs & Stratton Vanguard ☐	35 HP	Gas	5801307	25331	26"	1,030
CC3535JBV-30	Briggs & Stratton Vanguard ☐	35 HP	Gas	5801308	25337	30"	1,065
CC3537JK-14	Kohler Command CH1000	37 HP (55.3 torque)	Gas	5801301	25315	14"	950
CC3537JK-20	Kohler Command CH1000	37 HP (55.3 torque)	Gas	5801302	25319	20"	960
CC3537JK-26	Kohler Command CH1000	37 HP (55.3 torque)	Gas	5801303	25320	26"	1,020
CC3537JK-30	Kohler Command CH1000	37 HP (55.3 torque)	Electric	5801304	25322	30"	1,040
CC3520E3-14	Baldor	20 HP, 230V - 3PH	Electric	5800784A	50442	14"	1,005
CC3520E3-14	Baldor	20 HP, 460V - 3PH	Electric	5800784B	03729	14"	1,005
CC3520E3-14	Baldor	20 HP, 575V - 3PH	Electric	5800784C	03730	14"	1,005
CC3520E3-20	Baldor	20 HP, 230V - 3PH	Electric	5800785A	50443	20"	1,070
CC3520E3-20	Baldor	20 HP, 460V - 3PH	Electric	5800785B	57116	20"	1,060
CC3520E3-20	Baldor	20 HP, 575V - 3PH	Electric	5800785C	03733	20"	1,015
CC3520E3-26	Baldor	20 HP, 230V - 3PH	Electric	5800786A	50444	26"	1,025
CC3520E3-26	Baldor	20 HP, 460V - 3PH	Electric	5800786B	51919	26"	1,025
CC3520E3-26	Baldor	20 HP, 575V - 3PH	Electric	5800786C	03739	26"	1,025
CC3520E3-30	Baldor	20 HP, 230V - 3PH	Electric	5800787A	50446	30"	1,070
CC3520E3-30	Baldor	20 HP, 460V - 3PH	Electric	5800787B	68486	30"	1,035
CC3520E3-30	Baldor	20 HP, 575V - 3PH	Electric	5800787C	03743	30"	1,035
CC3530E3-14	Baldor	30 HP, 460V - 3PH	Electric	5800788A	50439	14"	1,035
CC3530E3-14	Lincoln	30 HP, 575V - 3PH	Electric	5800788B	46558	14"	1,035
CC3530E3-20	Lincoln	30 HP, 460V - 3PH	Electric	5800789A	50440	20"	1,045
CC3530E3-20	Lincoln	30 HP, 575V - 3PH	Electric	5800789B	46559	20"	1,045
CC3530E3-26	Lincoln	30 HP, 460V - 3PH	Electric	5800790A	50392	26"	1,055
CC3530E3-26	Lincoln	30 HP, 575V - 3PH	Electric	5800790B	76420	26"	1,055
CC3530E3-30	Lincoln	30 HP, 460V - 3PH	Electric	5800791A	50441	30"	1,065
CC3530E3-30	Lincoln	30 HP, 575V - 3PH	Electric	5800791B	62313	30"	1,065

☐ Gross horsepower at 3600 RPM per SAEJ1940

### CC3500 BLADE GUARDS

Description	Part #	Cat #
14" Tapered Mount Blade Guard	6010950	20011
20" Tapered Mount Blade Guard	6010952	08213
26" Tapered Mount Blade Guard	6010954	19322
30" Tapered Mount Blade Guard	6010956	20456

### CC3500 OPTIONS

Description	Part #	Cat #
Water Safety Switch	6047932	47451
Water Pump (electric)	6011032	02506
Parking Brake	6011228	81191
Spot Light	6010112	02427
Spot Light Kit for Soft Start Electric Models	6012182	27477
Blade spacing kit - 5" flange (for blades 1-1/2" apart)	6010630B	25424
Blade spacing kit - 5" flange (for blades 2" apart)	6010631B	25426
Blade spacing kit - 5" flange (for blades 4" apart)	6010632B	23197
Lowering Speed Metering Valve	6010227	02480
Soft Start Controller Add On for 230/460 volt**	6011449A	14278
Soft Start Controller Add On for 575 volt**	6011449B	14279
DC Travel 230/460V for saws without soft start**	6011621	98161
DC Travel 230/460V for saw with soft start**	6011624	33629

\*\* For electric saws - factory installed.



CC3537JK

**Jackshaft allows full engine power.**

**Engine adjustment mechanism for belt tightening and maintenance.**

