

CC500MXL2 Masonry Saw



Gas

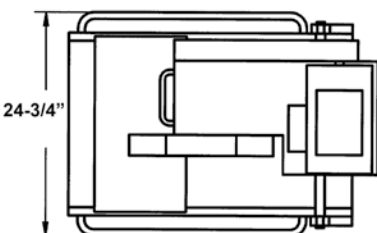
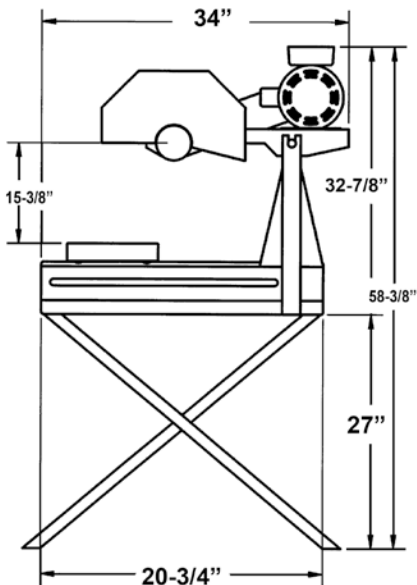


Electric

* Blade not included



Side Carrying
Handles Are
Standard



14" Capacity

Table Top or Stand Kit

Features & Benefits

- Variety of power options
- Stay level blade guard
- Removable cutting head
- Leg kit standard - folding stand optional
- Side carrying handles
- Includes water pump
- Vulcanized rubber coated material slide cart
- Open throat cutting
- Easy and safe access to depth control lock
- Open back cutting allows longer material to be cut
- Heavy duty frame design help resist damage to saw body
- Reinforced slide rails keep the cart running smoothly
- Simple yet strong design allows easy maintenance
- Sealed drain hole on the bottom of the tray allows quick clean up

Specifications

- Maximum Depth of Cut:** 5"
- Blade Shaft Diameter:** 7/8"
- Arbor Diameter:** 1"
- Blade Shaft Bearings:** Flange block ball bearings
- Blade Shaft Drive:** 2 belt
- Blade Mounting:** Right (electric), Left (gas)
- Blade Raise/Lower:** Counterbalanced, spring tensioned head pivots on two 7/8" flange block bearings
- Blade Coolant:** Dual spray tubes, pump fed (electric models), pump from tray (gas models)
- Air Filter:** 3-stage cyclone (gas models)
- Fuel Capacity:** 1 gallon (gas models)
- High Temp Shut-off:** Included (electric models)



The stay-level blade guard provides the operator with safety and convenience while sawing. Our pivot mechanism resists slurry build-up, which could affect pivoting performance.

CC500MXL2 MASONRY SAW

| Model # | Motor/Engine Make | Motor/Engine Power | Power Source | Part # | Cat # | Blade Capacity | Product Weight (lbs) |
|-------------|----------------------------|-------------------------------|--------------|---------|-------|----------------|----------------------|
| CC515MXL2E1 | Baldor | 1.5 HP - 1PH-115/230V | Electric | 5800799 | 03725 | 14" | 215 |
| CC520MXL2E1 | Baldor | 2.0 HP - 1PH 115/230V | Electric | 5800814 | 08667 | 14" | 225 |
| CC525MXL2E1 | Baldor | 2.5 HP - 1PH-115/230V | Electric | 5800801 | 03726 | 14" | 196 |
| CC530MXL2E1 | Baldor | 3.0 HP - 1PH 115/230V - 50 Hz | Electric | 5800802 | 03728 | 14" | 220 |
| CC548MHXL2 | Honda GX160 | 4.8 HP, 7.6 torque (lbs.-ft.) | Gas | 5800803 | 03732 | 14" | 220 |
| CC565MBVXL2 | Briggs & Stratton Vanguard | 6.5 HP | Gas | 5801217 | 23961 | 14" | 170 |
| CC565MLXL2 | Lifan LF168F | 6.5 HP | Gas | 5801101 | 34008 | 14" | 172 |



Folding Stand



Folding Stand with Wheel Kit

CC500MXL2 OPTIONS

| Description | Part # | Cat # |
|---|---------|-------|
| Folding Stand | 2500839 | 46870 |
| Folding Stand Upgrade* | 6030042 | 46893 |
| Folding Stand Wheel Kit | 6030040 | 48547 |
| Cord 50 ft. 12GA 115V 20A Twist to 15A Straight | 4699100 | 47884 |
| Cord 100 ft. 12GA 115 V 20A Twist to 15A Straight | 4699101 | 48548 |

*Must be ordered with new saw to upgrade from the leg kit.



Removing the saw head is simple - just pull two locking pins and lift the head off of the frame. The cutting depth adjustment is on the side of the frame instead of the back.



The blade shaft and bearings are enclosed in a dust free housing to ensure long bearing life. The blade shaft cover plate allows easy access for greasing the bearings. The flange block bearings make bearing replacement easy without the need for a hydraulic press or other special tools.



Shown with optional folding stand

Low Amperage on Electric Models:

- **1.5HP Model Standard Draw 13.4 Amp - Perfect for House Power**
- **2.0HP Model Standard Draw 15.8 Amp**
- **2.5HP Model Standard Draw 21 Amp**