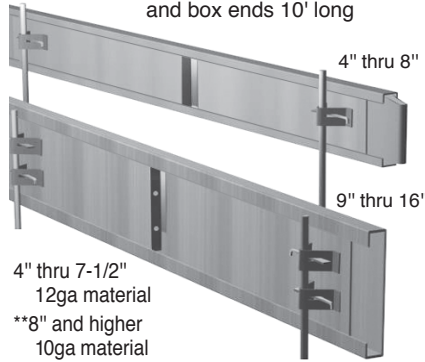


Straight Steel Forms

STRAIGHT FORMS - Standard 2" Base

with self aligning noses
and box ends 10' long



For use with either 3/4" or 7/8" stakes.
STAKES NOT INCLUDED IN FORM PRICES.
TO PUNCH HOLES FOR DOWELS
Add for 5 holes; ea. addit. hole.

205

3 POCKETS

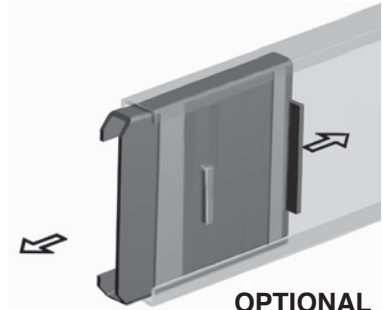
Size	Price ea.	Wt. ea. lbs.
4" x 10'		39
5" x 10'		42
6" x 10'		47
7" x 10'		52
7-1/2" x 10'		55
**8" x 10'		75
9" x 10'		80
10" x 10'		85
11" x 10'		90
12" x 10'		95
13" x 10'		100
14" x 10'		110
15" x 10'		120
16" x 10'		120
18" x 10'		130

204

2 POCKETS

Size	Price ea.	Wt. ea. lbs.
4" x 10'		37
5" x 10'		40
6" x 10'		45
7" x 10'		50
7-1/2" x 10'		53
**8" x 10'		72
9" x 10'		77
10" x 10'		82
11" x 10'		87
12" x 10'		92

For best results we do not
recommend 2 pocket forms
12" high and over.



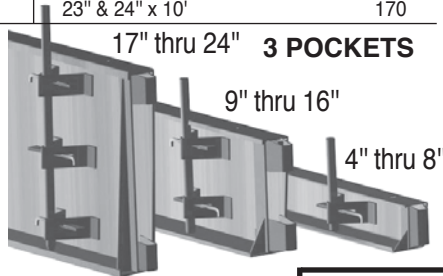
911

**OPTIONAL
SLIDING NOSE**
Available on all forms

Size	Price ea.	Size	Price ea.
4"		11" & 12"	
5" & 6"		13" & 14"	
7" & 8"		15" & 16"	
9" & 10"		17" & 18"	

216 STRAIGHT FORMS - 10GA Material with a 4" Base

Size	Price ea.	Wt. ea. lbs.	Size	Price ea.	Wt. ea. lbs.
4" x 10'		55	17" & 18" x 10'		140
5" x 10'		60	19" & 20" x 10'		150
6" x 10'		66	21" & 22" x 10'		160
7" x 10'		71	23" & 24" x 10'		170
7-1/2" x 10'		73			
8" x 10'		78			
9" x 10'		86			
10" x 10'		94			
11" x 10'		99			
12" x 10'		105			
13" x 10'		114			
14" x 10'		120			
15" x 10'		125			
16" x 10'		130			



STRAIGHT FORMS - 10GA Material with a 2" Base

207 3 POCKETS

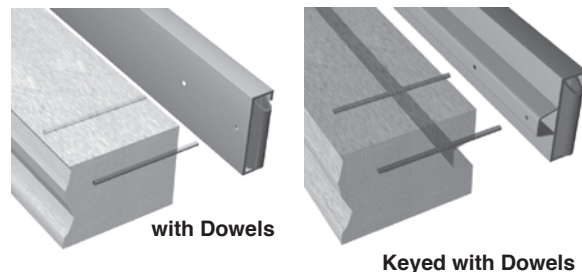
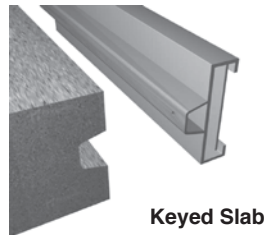
Size	Price ea.	Wt. ea. lbs.
4" x 10'		47
5" x 10'		54
6" x 10'		60
7" x 10'		63
7-1/2" x 10'		66

206 2 POCKETS

Size	Price ea.	Wt. ea. lbs.
4" x 10'		45
5" x 10'		52
6" x 10'		57
7" x 10'		61
7-1/2" x 10'		64

Fractional height forms e.g. 5-1/2" priced same as 6" etc.

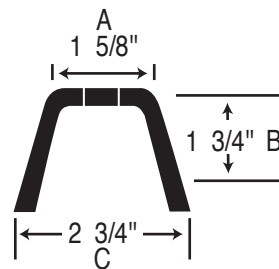
Keyway Forms for Industrial Slabs



280

Standard Section ea. - 18 lbs.

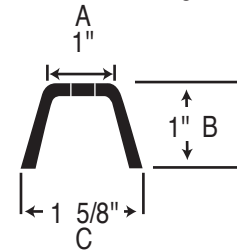
For forms 6" and higher



288

Small Section ea. - 10 lbs.

For forms 4" and higher



Four holes are punched in the Keyway Forms and the Straight Forms.
Four carriage bolts and nuts are furnished with each 10' section.

975

To punch holes in Keyway Forms add:
for 5 holes; ea. additional hole.

Keyway Forms can be fabricated to any size or shape.

