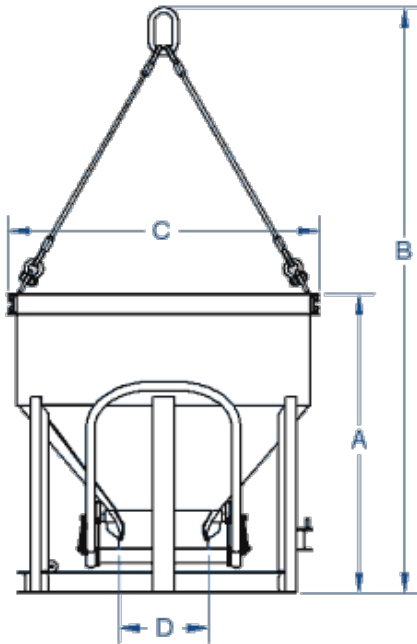




Pour more concrete at each crane cycle. A lightweight aluminum bucket cuts dead weight and allows you to lift more concrete payload.

Designed by engineers and bucket experts to provide:

- Stability and structural strength exceeding industry standards.
- Large round discharge prevents segregation and provides smooth concrete placement.
- Superior, concrete tight, clamshell gate.
- Reliable and easily maintained steel gate-opening mechanism.



Standard Upright Aluminum Concrete Buckets								
Model	Capacity		Loading Height	Lifting Height	Outside Dia.	Gate Dia.	Weight	
	yd ³	m ³	"A"	"B"	"C"	"D"	pounds	kg
BB-3	1/3	0.3	34"	75"	49"	16"	210	95
BB-5	1/2	0.4	37"	78"	49"	16"	220	100
BB-7	3/4	0.6	43"	84"	49"	16"	230	105
BB-10	1	0.8	46"	100"	58"	16"	285	130
BB-12	1-1/4	1.0	51"	105"	58"	16"	295	135
BB-15	1-1/2	1.2	56"	110"	58"	16"	305	140
BB-20	2	1.5	53"	112"	72"	20"	430	195
BB-25	2-1/2	2.0	60"	119"	72"	20"	455	205
BB-30	3	2.4	66"	125"	72"	20"	490	220
BB-40	4	3.1	70"	147"	84"	20"	650	295
BB-50	5	3.9	80"	157"	84"	20"	700	315

Each bucket is complete with wire rope sling. Bucket weight includes wire rope sling.
We reserve the right to make specification, equipment and price changes without notice.

Accessories for Upright Aluminum Buckets (optional)

Bucket Model	Side Chute	Rubber Sub Hopper	Lifting Bale	Forklift Attachment	Top Ring Addition	Rubber Gate Seal	Plastic Cone Liner	Air Operation System
BB-3, BB-5, BB-7	+	HR-2608, HR-2612	+	+	A-100	GSR-115	+	X
BB-10, BB-12, BB-15	D-200	HR-2608, HR-2612	+	+	A-101	GSR-115	+	+
BB-20, BB-25, BB-30	D-201	HR-3212	+	+	A-103	GSR-250	+	+
BB-40, BB-50	D-201	HR-3212	+	+	A-104	GSR-250	X	+

Some accessories, such as: side chutes, rubber sub hoppers, top ring additions, and rubber gate seals are available for both new and used buckets. Sign "+" shows that the accessory is available for the new bucket only at the time of order as the bucket may require certain modification to accept the accessory. Sign "X" shows that the accessory is not available for the bucket.